

SANITARY

// FITTINGS

// GASKETS

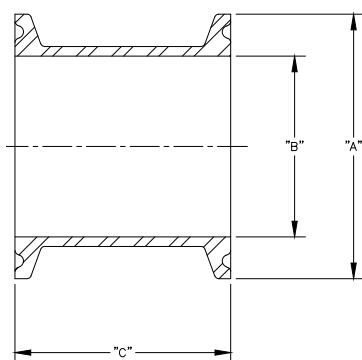
// CLAMPS

A multitude of sanitary fittings, replacement gaskets and clamps are available from Continental Disc Corporation, including specialized spool pieces with gauge tap and multibolt clamps.

FITTINGS

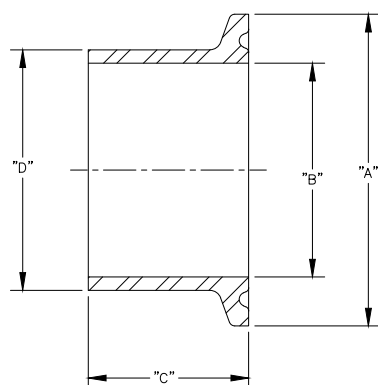
Continental Disc Corporation offers ASME BPE and 3A compliant grooved fittings designed for use with SANITRX® and SANITRX® HPX rupture discs.

SPOOL PIECE // ASME BPE and 3A Compliant



NOMINAL SIZE	DIMENSIONS			WEIGHT lb kg	PART NUMBER
	"A" in mm	"B" in mm	"C" in mm		
1"	1.98	0.85	1.63	0.41	433480050
25 mm	50,3	21,6	41,4	0,19	
1 1/2"	1.98	1.36	1.63	0.24	433560050
40 mm	50,3	34,5	41,4	0,11	
2"	2.52	1.86	1.63	0.33	433600050
50 mm	64,0	47,2	41,4	0,15	
3"	3.58	2.86	2.25	0.64	433620050
80 mm	90,9	72,6	57,2	0,29	
4"	4.68	3.81	2.25	1.09	433700050
100 mm	119	96,8	57,2	0,49	

BUTT WELD FERRULE // ASME BPE and 3A Compliant



NOMINAL SIZE	DIMENSIONS				WEIGHT lb kg	PART NUMBER
	"A" in mm	"B" in mm	"C" in mm	"D" in mm		
1"	1.98	0.87	1.75	1.00	0.23	434480050
25 mm	50,3	22,1	44,5	25,4	0,10	
1 1/2"	1.98	1.37	1.75	1.50	0.21	434560050
40 mm	50,3	34,8	44,5	38,1	0,095	
2"	2.52	1.87	2.25	2.00	0.34	434600050
50 mm	64,0	47,5	57,2	50,8	0,15	
3"	3.58	2.87	2.25	3.00	0.53	434620050
80 mm	90,9	72,9	57,2	76,2	0,24	
4"	4.68	3.83	2.25	4.00	0.90	434700050
100 mm	119	97,3	57,2	102	0,41	

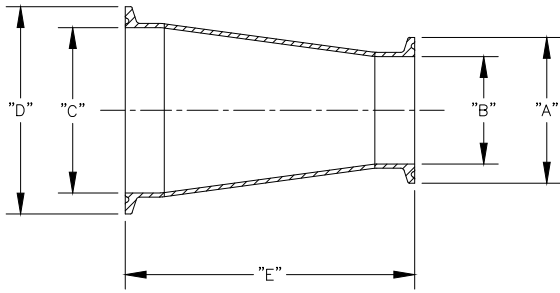
CONCENTRIC REDUCER // ASME BPE and 3A Compliant

•Dimensions & tolerances

•Internal surface finish SF1 (20Ra microinch)

•316L SS traceable material

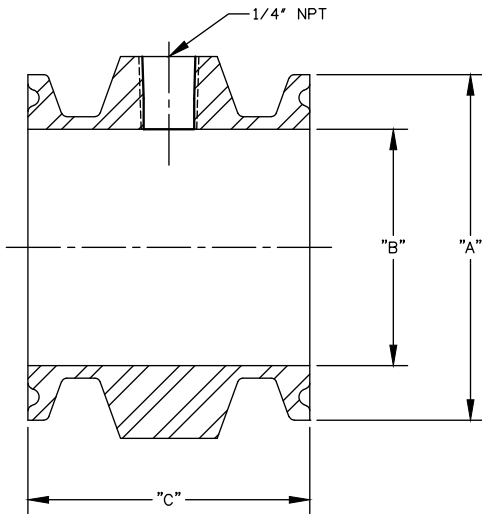
•BPE required packaging & marking



NOMINAL SIZE	DIMENSIONS					WEIGHT lb kg	PART NUMBER
	"A" in mm	"B" in mm	"C" in mm	"D" in mm	"E" in mm		
1 1/2" x 1" 40 mm x 25 mm	1.98	0.86	1.36	1.98	3.00	0.40	435560050
	50,3	21,8	34,5	50,3	76,2	0,18	
2" x 1 1/2" 50 mm x 40 mm	1.98	1.36	1.86	2.52	3.00	0.45	435600050
	50,3	34,5	47,2	64,0	76,2	0,20	
3" x 2" 80 mm x 50 mm	2.52	1.86	2.86	3.58	5.00	1.00	435620050
	64,0	47,2	72,6	90,9	127	0,45	
4" x 3" 100 mm x 80 mm	3.58	2.86	3.81	4.68	5.13	1.69	435700050
	90,9	72,6	96,8	119	130	0,77	

NOTE: When using concentric reducers, assure restriction of flow through the reducer is taken into consideration.

SPOOL PIECE WITH GAUGE TAP // NOT ASME BPE or 3A Compliant



NOMINAL SIZE	DIMENSIONS			WEIGHT lb kg	PART NUMBER
	"A" in mm	"B" in mm	"C" in mm		
1" 25 mm	1.98	0.86	3.00	2.84	436483250
	50,3	21,8	76,2	1,29	
1 1/2" 40 mm	1.98	1.36	3.00	2.01	436563250
	50,3	34,5	76,2	0,91	
2" 50 mm	2.51	1.86	3.00	2.54	436603250
	63,8	47,2	76,2	1,15	
3" 80 mm	3.58	2.86	3.00	3.59	436623250
	90,9	72,6	76,2	1,63	
4" 100 mm	4.68	3.81	3.00	4.87	436703250
	119	96,8	76,2	2,21	

REPLACEMENT GASKETS

SANITRX and SANITRX HPX slotted replacement gaskets are available for flat face SANITRX (SF) and industry standard (IS) seat types. Gaskets complying with USP Class VI materials include Platinum Cured Silicone, Viton (black and white), EPDM (black and white) and PTFE. When replacing gaskets care must be taken when removing the original gasket, installing the replacement gasket and use of a gasket of the same material and seat type.



CLAMPS

SANITRX HPX rupture discs are designed for installation directly between sanitary tube O.D. connections secured in place with a heavy-duty clamp, such as the Continental Disc MBC™ (Multi-Bolt Clamp) or a Sanitary Fitting Clamp. Both 304 SS clamp types are available in 1" through 4" sizes.

MBC™ Multi-Bolt Clamp

The MBC is a highly durable sanitary clamping device for securing vessel and piping connections in pharmaceutical, biotech, food, beverage, fine chemical, and other sanitary type environments.

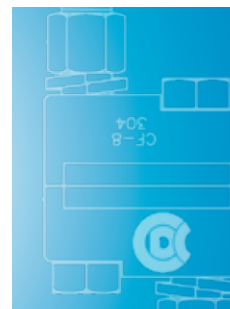
The multi-bolt clamp design features four stainless steel bolts and nuts securing a two-piece, cast stainless steel body. This sturdy clamp yields the ultimate in connection integrity, providing a dependable, sure-hold for system fittings and components. An opposed multi-bolt pattern, utilizing four bolts, ensures reliable performance and safeguards your system and personnel from possible damage that could result from the failure and release of a clamp relying on only one or two fasteners.

The MBC can be used in general sanitary installations and in high pressure or high temperature applications, though pressure and temperature maximums are limited by the capabilities of standard gaskets and fittings. The clamp also permits installation of the Continental Disc SANITRX HPX Rupture Disc, which features the innovative, attached 3-dimensional flow tag extending beyond the assembly for easy identification of proper rupture disc orientation.



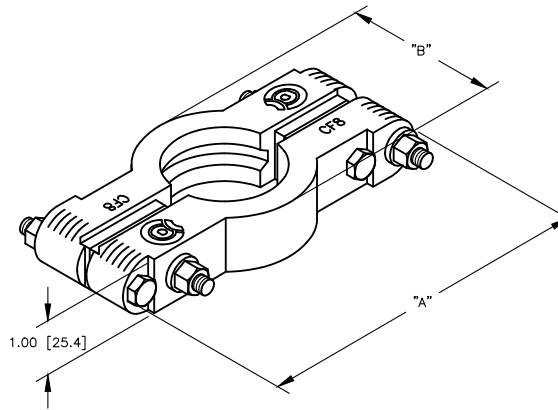
FEATURES

- Solid, cast stainless steel body with multi-bolt pattern for durability and performance under higher pressures and temperatures.
- Studs, nuts, and lock washers of corrosion resistant 304 stainless steel construction.
- Available in sizes 1½", 2", 3", and 4".
- Depending upon size and limitations of complementary components, the clamp can be installed on systems operating at pressures up to 1500 psig (103 barg) or at temperatures up to 450°F (232°C). See operating conditions on back page, Chart 1.



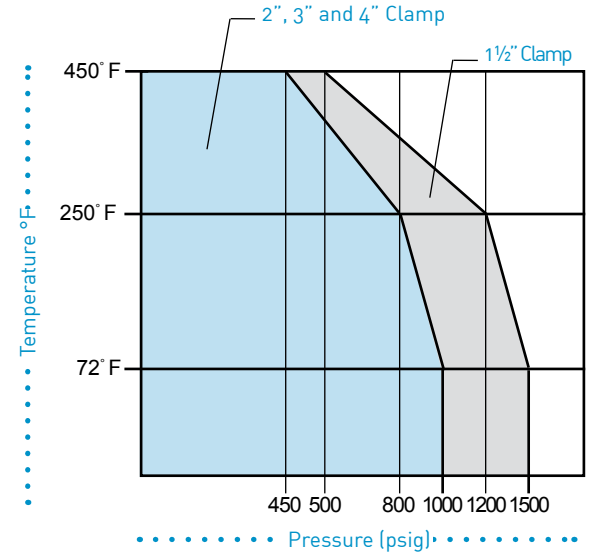
MBC SPECIFICATIONS

TABLE 1 // MBC Size / Dimensions / Pressure



NOMINAL SIZE	DIMENSIONS		WEIGHT lbs kg	CLAMP MAXIMUM OPERATING PRESSURE		PART NUMBER
	"A" in mm	"B" in mm		@ 70°F psig barg	@ 450°F psig barg	
*1½"	5.61	2.71	2.0	1500	500	568560051
40 mm	142	68,8	0,91	103	34,5	
2"	6.11	3.25	2.4	1000	450	568600051
50 mm	155	82,6	1,09	68,9	31,0	
3"	7.12	4.34	3.1	1000	450	568620051
80 mm	181	110	1,41	68,9	31,0	
4"	8.11	5.45	3.4	1000	450	568700051
100 mm	206	138	1,54	68,9	31,0	

CHART 1 // MBC clamps, in the size noted, are usable at pressures and temperatures below the appropriate curve



WARNING: These tables and charts represent the maximum pressure and temperature ratings. Standard sanitary gaskets and fittings may not be designed to withstand the maximum pressure and temperature stated. **It is the responsibility of the user to verify the maximum pressure and temperature rating of the gaskets, fittings, and rupture disc.**

SANITARY FITTING CLAMP SPECIFICATIONS

Clamps are quick-release, easy to change and allow space for the tag extension to pass through the clamp adjacent to the hinge.



NOMINAL SIZE	WEIGHT lbs kg	CLAMP MAXIMUM		PART NUMBER
		@ 70°F psig barg	@ 250°F psig barg	
*1½"	0.62	500	300	013560051
40 mm	0,28	34,5	20,7	
2"	0.73	450	300	013600051
50 mm	0,33	31,0	20,7	
3"	1.0	350	195	013620051
80 mm	0,45	24,1	13,4	
4"	1.1	300	150	013700051
100 mm	0,50	20,7	10,3	

* Use 1 ½" (40mm) clamp for 1" (25mm) connection



HEADQUARTERS //
3160 W. Heartland Drive
Liberty, MO 64068 USA
Ph (816) 792 1500 | Fax (816) 792 2277
sales@contdisc.com

contdisc.com

THE NETHERLANDS
Energieweg 20
2382 NJ Zoeterwoude-Rijndijk
The Netherlands
Ph +(31) 71 5412221 | Fax +(31) 71 5414361
cdcnl@contdisc.com

CHINA
Room 910, Tower B, COFCO Plaza
No. 8 JianGuoMenNei Avenue
Beijing (100005), P.R. China
Ph +(86) 10 522 4885 | Fax +(86) 10 6522 2885
cdcchina@contdisc.com

INDIA
423/P/11, Mahagujarat Industrial Estate, Moraiya,
Sarkhej-Bavla Road, Ahmedabad (GJ)
382213 INDIA
Ph +(91) 2717 619 333 | Fax +(86) 10 6522 2885
gcmpl@contdisc.com