

BILL OF MATERIALS

HOLDER / ACCESSORIES

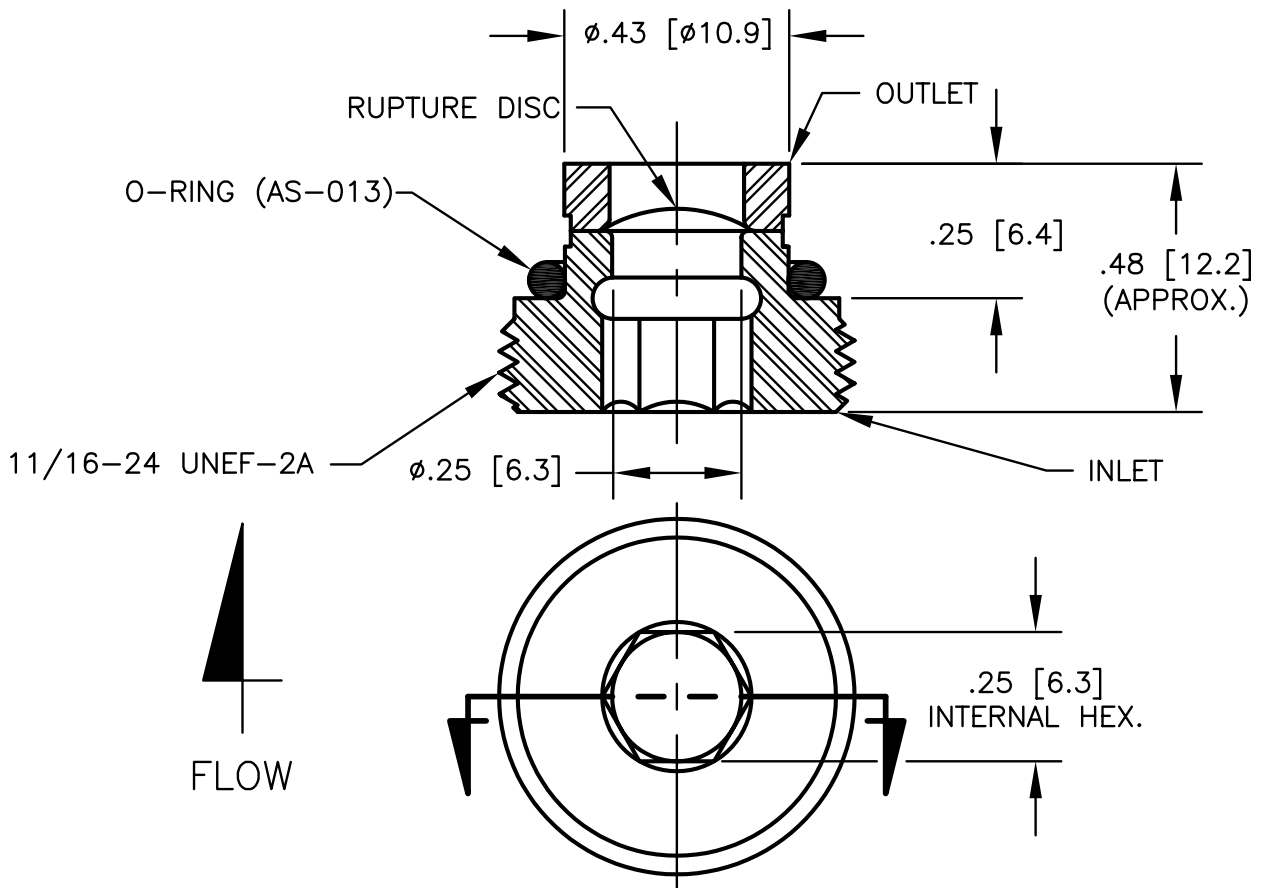
DISC SPECIFICATIONS / NOTES



Continental Disc Corporation
 3160 West Heartland Drive
 Liberty, Missouri 64068
 LOG NUMBER: 15506

DATE	UNLESS OTHERWISE NOTED: DIMENSIONS ARE IN INCHES [MILLIMETERS]		
	WE CERTIFY TO THE BEST OF OUR KNOWLEDGE THIS DRAWING MEETS THE SPECIFICATIONS SET FORTH		
APPR.	PREP. BY		
	CHKD. BY		
REV.	APPR. BY		

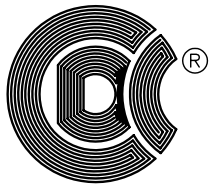
TITLE		SHEET
1/4" WELL ACTIVATION AND SAFETY PROTECTION VALVE ASSEMBLY (TYPE I)		
P.O. #		OF
S.O. #		



BILL OF MATERIALS

HOLDER / ACCESSORIES

DISC SPECIFICATIONS / NOTES



Continental Disc Corporation

3160 West Heartland Drive
Liberty, Missouri 64068

LOG NUMBER: 15505

DATE

UNLESS OTHERWISE NOTED:
DIMENSIONS ARE IN INCHES
[MILLIMETERS]

APPR.

WE CERTIFY TO THE BEST OF
OUR KNOWLEDGE THIS DRAWING
MEETS THE SPECIFICATIONS
SET FORTH

REV.

PREP.
BY

CHKD.
BY

APPR.
BY

DATE

TITLE

1/4" WELL ACTIVATION AND SAFETY
PROTECTION VALVE ASSEMBLY
(TYPE A)

P.O. #

S.O. #

SHEET

OF